

FLYMO[®] Robotic Lawn Mower 1200R

2017

Spare parts

Ersatzteile

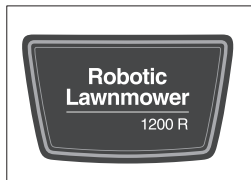
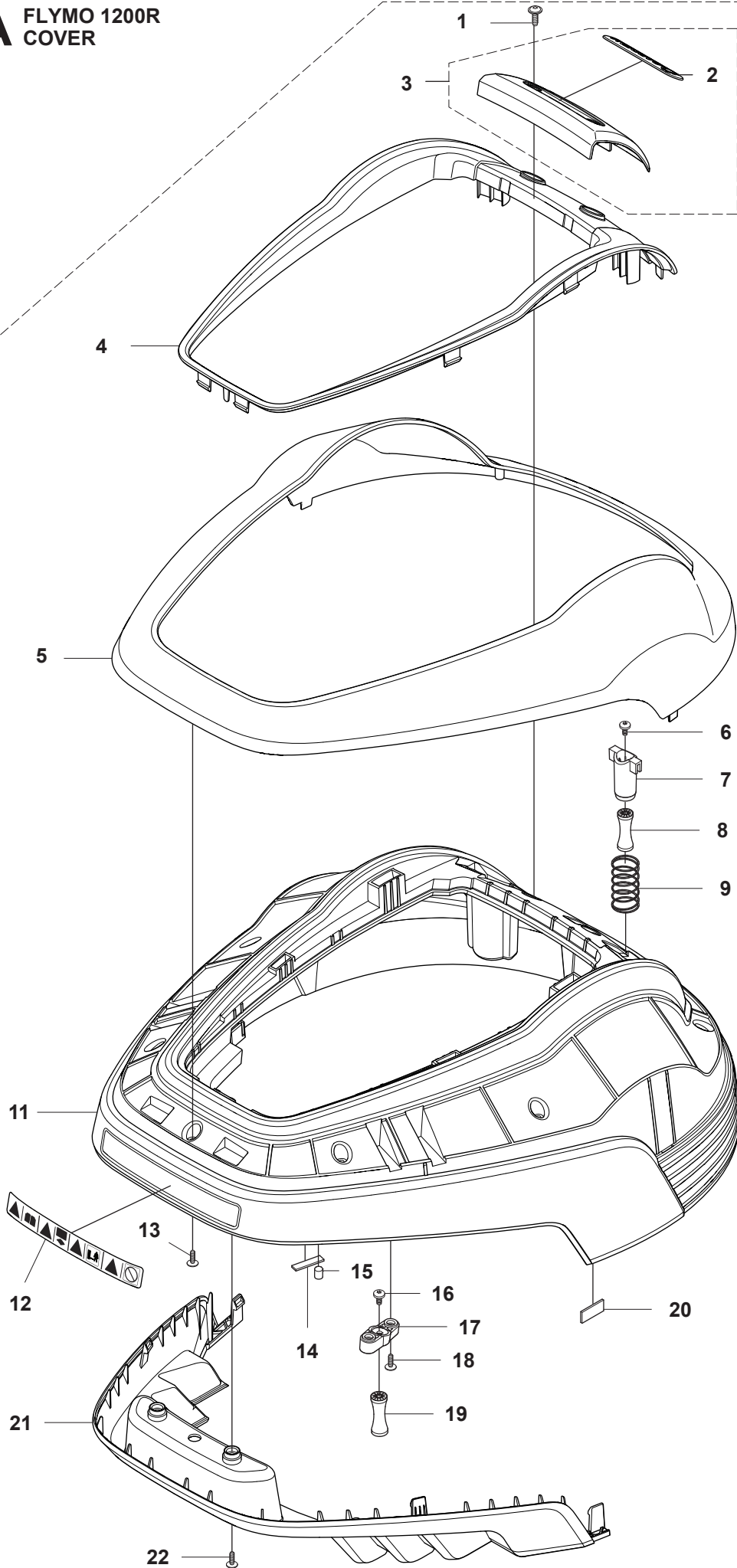
Pièces détachées

Reserve onderdelen

Repuestos

Reservdelar

A FLYMO 1200R
COVER



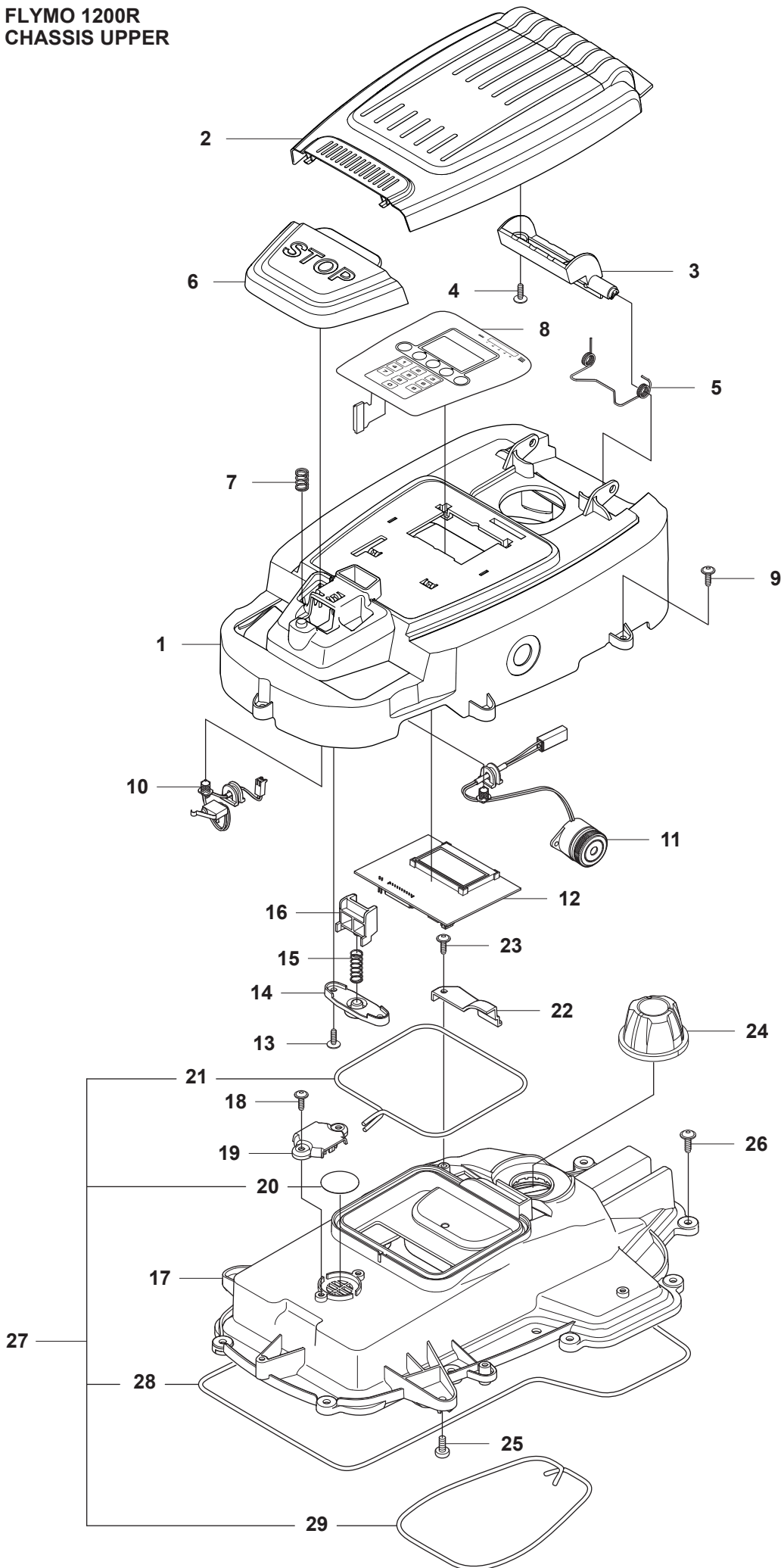
10

23

PAGE A FLYMO 1200R COVER

Position	Article	Quantity	Notes	Kit / Assy
1	575 54 33-14	2	Screw, Grey (14 mm)	23
2	581 61 68-01	1	Decal, Flymo Logotype	3,23
3	579 39 21-04	1	Plate KIT incl. Logo	23
4	577 70 76-02	1	Frame	23
5	577 70 73-02	1	Cover	23
6	576 21 39-01	2	Screw	23
7	574 46 90-02	2	Bracket, Lift Sensor	23
8	574 46 91-02	2	Rubber Damper	23
9	574 48 51-02	2	Spring, Lift Sensor	23
10	581 61 69-01	1	Decal, 1200R	
11	579 39 17-01	1	Main Body	23
12	586 35 97-01	1	Warning Label	11, 23
13	575 54 33-14	7	Screw, Grey (14 mm)	23
14	576 03 01-01	1	Plate, Collision Sensor	11,23
15	576 18 33-01	1	Magnet, Collision Sensor	11,23
16	576 21 39-01	2	Screw	23
17	575 41 60-02	2	Support Clamp	23
18	575 54 33-14	4	Screw, Grey (14 mm)	23
19	574 46 91-02	2	Rubber Damper	23
20	576 18 32-01	1	Magnet, Lift Sensor	11,23
21	577 70 65-02	1	Bumper, Rear	23
22	575 54 33-14	2	Screw, Grey (14 mm)	23
23	577 95 53-06	1	Cover KIT Complete excl. Model Decal	

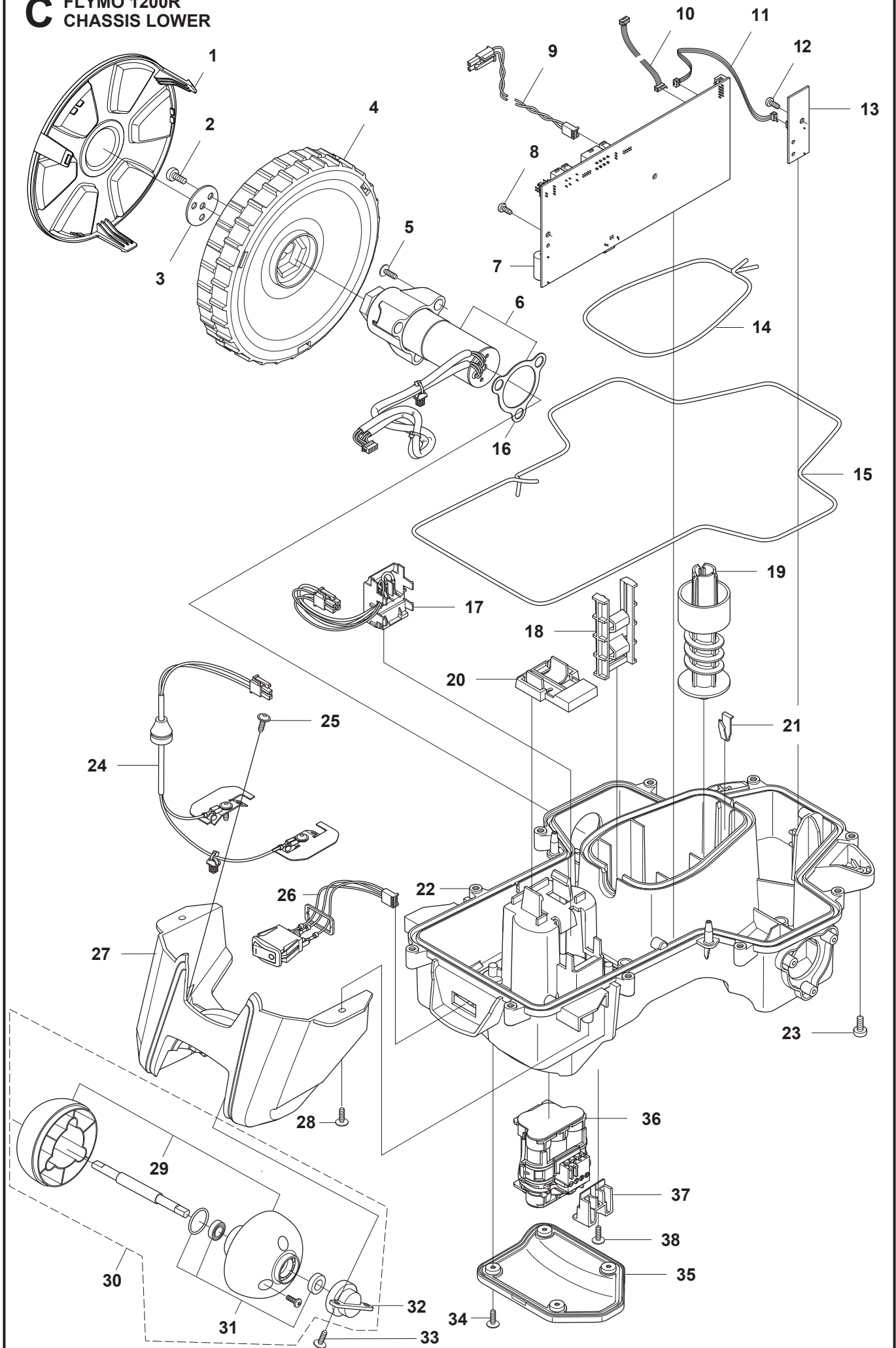
B FLYMO 1200R
CHASSIS UPPER



PAGE B FLYMO 1200R CHASSIS UPPER

Position	Article	Quantity	Notes	Kit / Assy
1	579 39 19-04	1	Display Cover KIT incl. Sealing & Keyboard	
2	577 70 72-03	1	Cover, Height Adjustment	
3	577 70 78-01	1	Hinge, Height Adjustment Lid	
4	575 54 33-14	2	Screw, Grey (14 mm)	
5	578 44 52-01	1	Spring, Height Adjustment Lid	
6	577 70 66-01	1	Stop Button	
7	574 48 70-01	1	Spring, Stop Button	
8	581 61 76-01	1	Keyboard	1
9	575 54 33-14	5	Screw, Grey (14 mm)	
10	574 48 03-01	1	Micro Switch, Stop Button	
11	574 47 59-01	1	Buzzer, Display Cover	
12	588 44 19-01	1	Display/MMI, Circuit Board	
13	575 54 33-14	2	Screw, Grey (14 mm)	
14	575 41 58-01	1	Spring Holder, Stop Button	
15	576 24 22-01	1	Spring Lock, Stop Button	
16	575 40 90-01	1	Lock, Stop Button	
17	579 39 20-02	1	Chassis Upper KIT incl. Sealing & Air Filter	
18	575 54 33-14	2	Screw, Grey (14 mm)	
19	576 69 70-01	1	Cover, Air Filter	
20	577 75 37-01	1	Air Filter KIT (10 pcs)	
21	577 75 36-01	1	Sealing Strip KIT (10 pcs)	
22	576 05 39-01	1	Cover, Height Indicator	
23	575 54 33-14	1	Screw, Grey (14 mm)	
24	579 39 22-01	1	Knob, Height Adjustment KIT incl. Knob & Sticker	
25	576 21 39-01	2	Screw	
26	574 45 01-01	10	Screw	
27	588 40 70-01	1	Seal KIT incl. Sealing Strip Chassis (1 pcs), Sealing Strip Short (2 pcs), Air Filter (1 pcs)	
28	574 87 47-03	1	Sealing Strip, Chassis (1 pcs, Ø4 mm)	
29	574 87 47-04	1	Sealing Strip (1 pcs, Ø4 mm)	

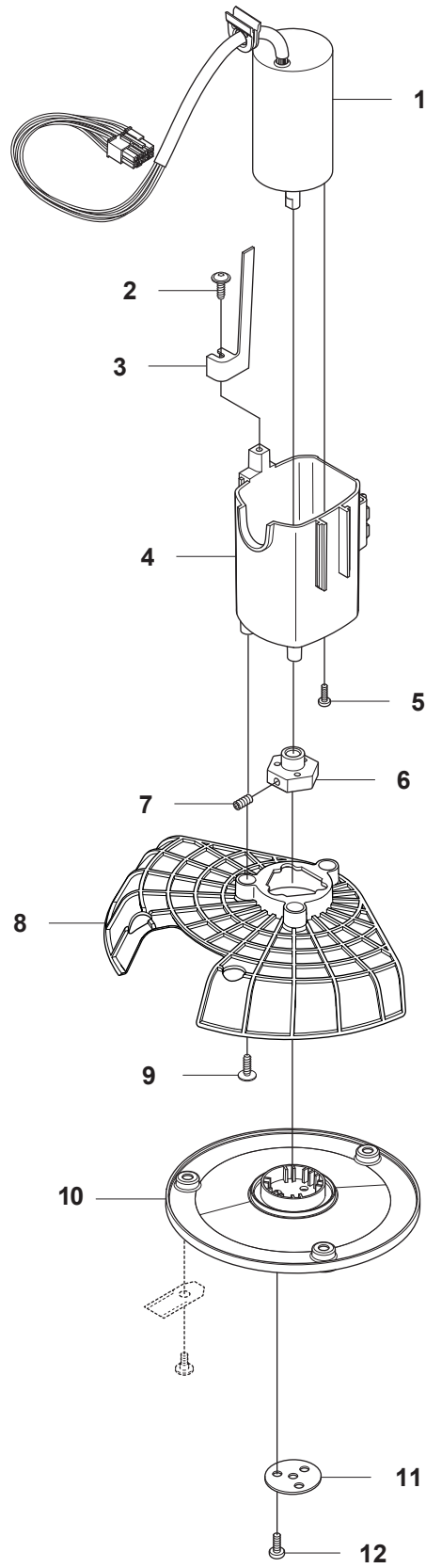
**C FLYMO 1200R
CHASSIS LOWER**



PAGE C FLYMO 1200R CHASSIS LOWER

Position	Article	Quantity	Notes	Kit / Assy
1	577 70 79-01	2	Hub Cap, Drive Wheel	
2	576 21 39-02	6	Screw	
3	577 09 32-01	2	Washer, Drive Wheel	
4	574 46 51-04	2	Wheel, Drive Wheel	
5	575 54 33-14	6	Screw, Grey (14 mm)	
6	577 83 99-04	2	Wheel Motor KIT incl. Sealing	
7	588 62 88-03	1	Main Circuit Board (MCB)	
8	535 13 03-10	2	Screw (10 mm)	
9	576 22 02-01	1	Loom, Buzzer Extension	
10	588 83 27-01	1	Loom, Display	
11	588 90 12-01	1	Loom, Loop and Lift Sensor	
12	535 13 03-10	1	Screw (10 mm)	
13	588 57 21-01	1	PCB Sensor Board	
14	574 87 47-04	1	Sealing Strip (1 pcs, Ø4 mm)	
15	574 87 47-03	1	Sealing Strip, Chassis (1 pcs, Ø4 mm)	
16	574 37 37-01	2	Sealing/Gasket, Motor Flange	6
17	574 47 98-01	1	Loom, Li-Ion Battery	
18	574 50 19-01	2	Guide Rail, Motor Bowl	
19	574 48 46-01	1	Height Adjustment Screw	
20	575 40 82-01	1	Lock, Battery Plug	
21	577 10 32-01	1	Locking Spring	
22	577 84 62-03	1	Chassis Lower KIT incl. Sealing	
23	576 21 39-01	2	Screw	
24	588 95 09-01	1	Loom, Charging Plate	
25	575 52 95-02	2	Screw, Grey (14 mm)	
26	579 70 87-01	1	Swith ON/OFF with Seal	
27	574 46 72-02	1	Housing, Rear Wheel	
28	575 54 33-14	3	Screw, Grey (14 mm)	
29	583 85 39-02	1	Rear Wheel KIT	30
30	578 27 51-03	1	Rear Wheel KIT Complete	
31	578 27 52-01	1	Bearing (X2), Sealing (X2), O-Ring (X1)	30
32	577 71 50-01	2	Bearing Housing, Rear Wheel	30
33	575 54 33-14	4	Screw, Grey (14 mm)	
34	574 45 01-01	4	Screw	
35	574 46 73-01	1	Cover, Battery	
36	586 57 62-01	1	Battery, Lithium 18 v	
37	582 38 61-01	1	Bracket	
38	575 54 33-14	1	Screw, Grey (14 mm)	

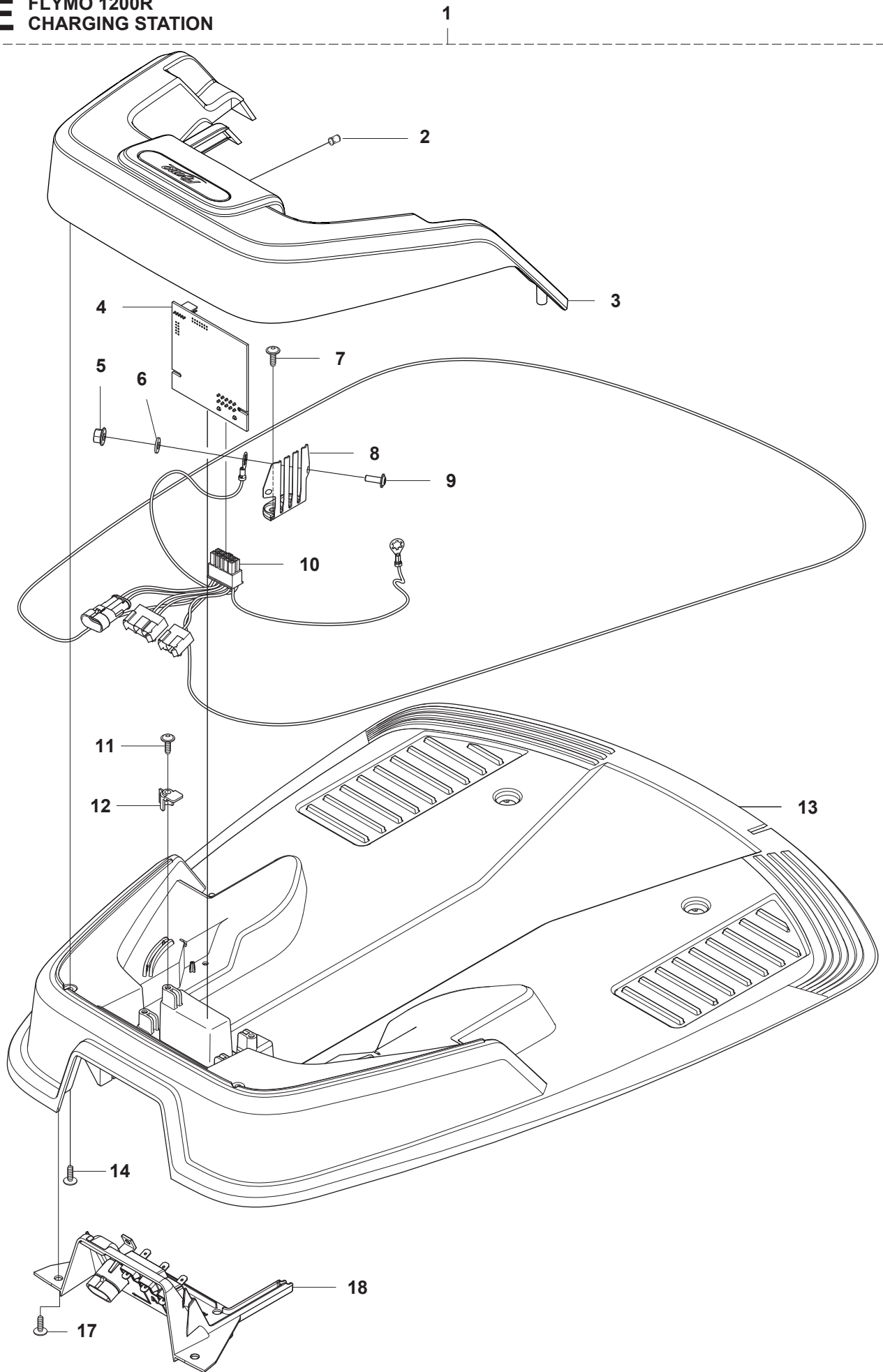
D FLYMO 1200R
BLADE MOTOR & CUTTING EQUIPMENT



PAGE D FLYMO 1200R BLADE MOTOR & CUTTING EQUIPMENT

Position	Article	Quantity	Notes	Kit / Assy
1	584 98 93-02	1	Cutting Motor	
2	575 54 33-10	1	Screw, Grey (10 mm)	
3	574 50 35-01	1	Height Indicator	
4	581 02 03-01	1	Motor Housing	
5	576 21 38-01	3	Screw	
6	574 37 35-01	1	Hub, Cutting Motor	
7	576 21 35-01	1	Stop Screw	
8	579 75 83-01	1	Guard, Cutting Disc	
9	575 54 33-14	3	Screw, Grey (14 mm)	
10	574 48 71-01	1	Cutting Disc	
11	577 09 32-01	1	Washer	
12	576 21 38-01	3	Screw	

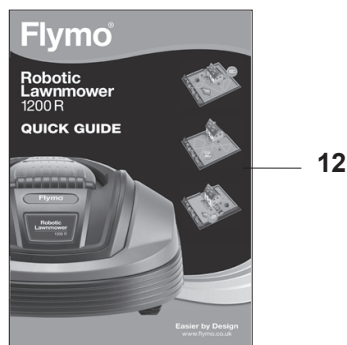
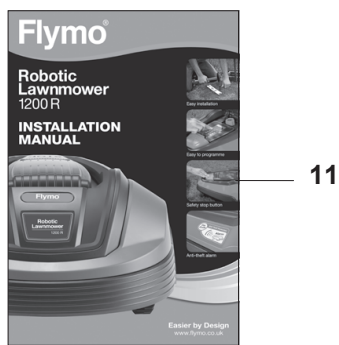
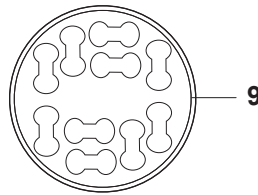
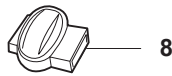
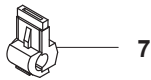
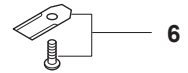
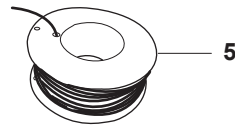
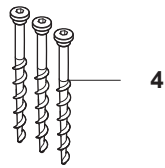
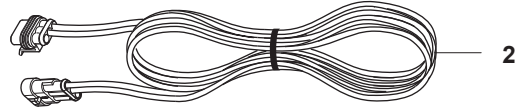
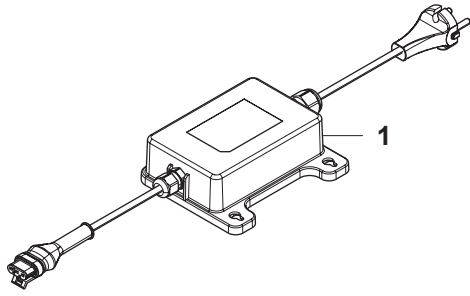
E FLYMO 1200R CHARGING STATION



PAGE E FLYMO 1200R CHARGING STATION

Position	Article	Quantity	Notes	Kit / Assy
1	577 97 23-10	1	Charging Station, Flymo	
2	535 12 87-02	1	Diode Lens	1,3
3	579 39 23-02	1	Charging Station Cover, Flymo	1
4	582 87 62-01	1	Circuit Board, Charging Station	1
5	588 22 21-01	2	Nut Flange	1
6	535 08 74-01	2	Washer	1
7	575 54 33-14	2	Screw, Grey (14 mm)	1
8	587 12 51-01	2	Contacts, Charging Station	1
9	588 22 22-01	2	Screw	1
10	582 38 10-01	1	Loom, Charging Station	1
11	575 54 33-14	2	Screw, Grey (14 mm)	1
12	535 12 79-01	2	Bracket	1
13	581 55 19-03	1	Charging Station Base Plate	1
14	575 54 33-14	4	Screw, Grey (14 mm)	1
17	575 54 33-14	4	Screw, Grey (14 mm)	1
18	582 35 64-01	1	Guide Cover, Charging Station	1

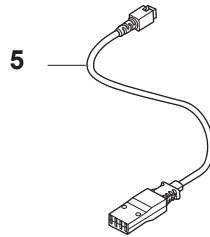
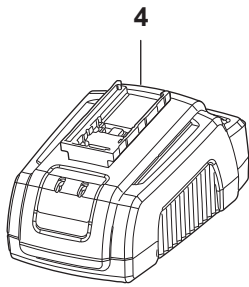
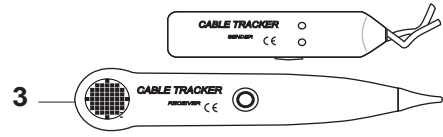
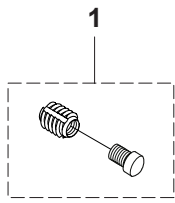
F FLYMO 1200R INSTALLATION ACCESSORIES



PAGE F FLYMO 1200R INSTALLATION ACCESSORIES

Position	Article	Quantity	Notes	Kit / Assy
1	584 86 26-02	1	Power Supply Unit, UK	
2	579 82 51-01	1	Low Voltage Cable (20 m)	
2	579 82 51-02	1	Low Voltage Cable (10 m)	
2	579 82 51-03	1	Low Voltage Cable (3 m)	
3	583 97 34-01	1	Staples (100 pcs)	
4	575 23 86-02	1	Anchor screw (3 pcs) incl. Allen Key	
5	580 66 20-02	1	Loop Wire (150 m)	
5	580 66 20-03	1	Loop Wire (200 m)	
5	580 66 20-01	1	Loop Wire (250 m)	
5	580 66 20-04	1	Loop Wire (800 m)	
6	577 86 46-03	1	Long Life - Safety Blade, Husqvarna Blister Pack, 9 pcs	
6	577 60 65-05	1	Long Life - Safety Blade, 45 pcs	
6	577 60 66-04	1	Long Life - Safety Blade, 300 pcs	
7	535 12 90-01	1	Loop Wire Connector (1 pcs)	
8	501 98 02-01	1	Coupler (1 pcs)	
8	501 98 02-02	1	Coupler (50 pcs)	
9	586 27 79-01	1	Sticker, Cable markers (10 pcs)	
10	502 40 53-01	1	Label, Anti-Theft	
11	115 84 48-26	1	Operators Manual, English	
12	115 84 41-26	1	Quick Guide, English	

G FLYMO 1200R ACCESSORIES



PAGE G FLYMO 1200R ACCESSORIES

Position	Article	Quantity	Notes	Kit / Assy
1	581 16 57-01	1	Metal Insert Repair KIT (4 pcs)	
2	580 68 95-02	1	Warranty Seal 1pcs	
3	577 60 68-01	1	Loop Wire Interruption Detector	
4	588 40 84-01	1	Quick Charger with Battery Test	
5	588 20 26-01	1	Cable Quick Charger	
6	115 44 50-01	1	TECHNICAL MANUAL, Swedish	
6	115 44 50-06	1	TECHNICAL MANUAL, Danish	
6	115 44 50-11	1	TECHNICAL MANUAL, Finnish	
6	115 44 50-21	1	TECHNICAL MANUAL, Norwegian	
6	115 44 50-26	1	TECHNICAL MANUAL, English	
6	115 44 50-31	1	TECHNICAL MANUAL, French	
6	115 44 50-36	1	TECHNICAL MANUAL, Dutch	
6	115 44 50-41	1	TECHNICAL MANUAL, Italian	
6	115 44 50-46	1	TECHNICAL MANUAL, Spanish	
6	115 44 50-51	1	TECHNICAL MANUAL, German	
6	115 44 50-56	1	TECHNICAL MANUAL, Russian	
6	115 44 50-58	1	TECHNICAL MANUAL, Hungarian	
6	115 44 50-61	1	TECHNICAL MANUAL, Polish	
6	115 44 50-62	1	TECHNICAL MANUAL, Romanian	
6	115 44 50-63	1	TECHNICAL MANUAL, Estonian	
6	115 44 50-64	1	TECHNICAL MANUAL, Latvian	
6	115 44 50-65	1	TECHNICAL MANUAL, Lithuanian	
6	115 44 50-71	1	TECHNICAL MANUAL, Greek	
6	115 44 50-76	1	TECHNICAL MANUAL, Turkish	
6	115 44 50-81	1	TECHNICAL MANUAL, Croatian	
6	115 44 50-90	1	TECHNICAL MANUAL, Czech	