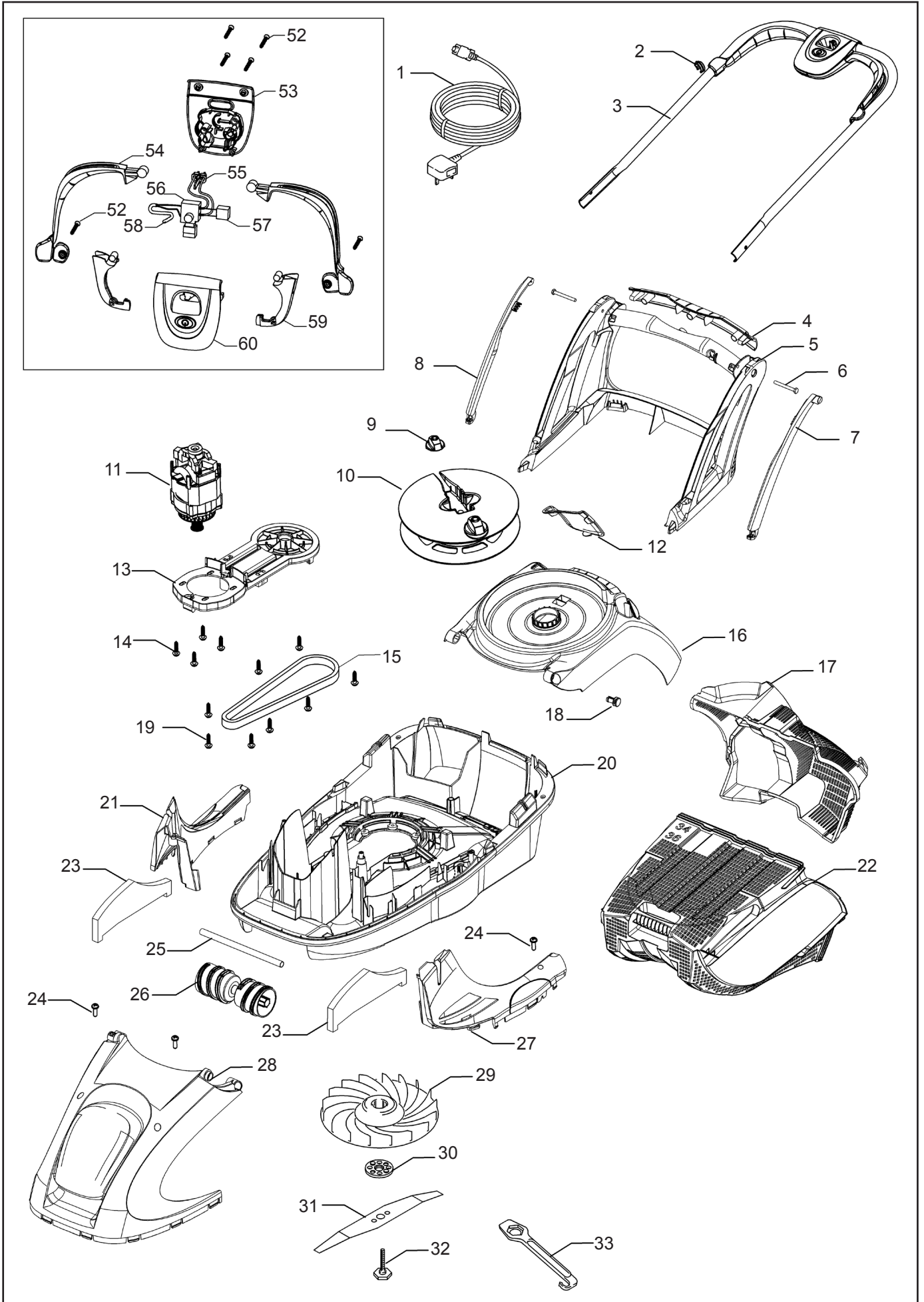


Replaces 1007001



IPL Flymo Glide Master 340 9665048-01 9669529-01 360 9669530-01 2013-11

ITEM	Component	DESCRIPTION	Qty	Notes
1	5103725-90	MAINS LEAD UK	1	UK
2	5138574-00	CABLE CLIP	1	
3	5053300-01	HANDLE UPPER	1	9669530-01 ONLY
	5752587-01	HANDLE UPPER	1	9669529-01/9665048-01
4	5055170-01	INFILL HANDLE LOWER GRIP	1	
5	5048693-01	HANDLE LOWER	1	
6	7252381-51	SCREW M6 X 55	2	
7	5055171-01	INFILL HANDLE LOWER LHS	1	
8	5055173-01	INFILL HANDLE LOWER RHS	1	
9	5131309-00	KNOB EASI-REEL	1	
10	5052844-01	SPOOL ASSY	1	
11	5117899-76	MOTOR ASSY	1	
12	5048687-01	WINDOW	1	
13	5052841-01	DRIVE ASSY	1	
14	5131191-00	SCREW-CAP WASHER 6 SPLINE	4	
15	5130503-00	BELT	1	
16	5048681-01	LID GRASSBOX	1	
17	5048689-01	SCREEN	1	
18	5048686-01	PIVOT PIN	1	
19	5107590-00	SCREW-CAPTIVATED WASHER 15MM	8	
20	5048675-01	HOOD	1	
21	5055213-01	INFILL SIDE RHS	1	
22	5048684-01	GRASSBOX	1	
23	5052842-01	FILTER	2	
24	5107229-01	SCREW 6 SPLINE 5MM DIA	3	
25	5052837-01	AXLE TUBE	1	
26	5048697-01	ROLLER	1	
27	5055212-01	INFILL SIDE LHS	1	
28	5048680-01	COVER MOTOR	1	
29	5117227-05	IMPELLER	1	
30	5138110-01	BLADE SPACER	3	
31	5048698-01	BLADE	1	340
	5219499-90	BLADE	1	360
32	5107779-00	BLADE BOLT ASSY (BLACK)	1	
33	5107780-64	SPANNER PLASTIC	1	
52	5107796-00	SCREW POLYMATE NO.6X19 6 SPLINE	6	
53	5227216-01	SWITCHBOX LOWER GB	1	
54	5227215-01	LEVERS (PAIR)	1	
55	5055507-01	UK PIN RETAINER	1	
56	5227209-01	SWITCH (RED CAP)	1	
57	5131216-00	CAPACITOR	1	
58	5227212-01	INTERNAL LEAD	1	
59	5227214-01	ACTUATORS (PAIR)	1	
60	5227208-01	SWITCHBOX UPPER	1	WITH BUTTON