

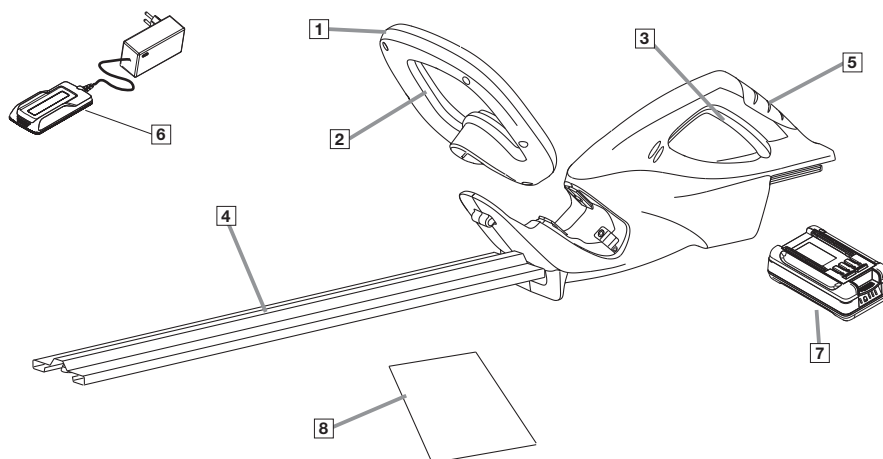
EasiCut Cordless 20V Li Art. 9679245-xx

**Remark:** "xx" stands for customer and country variants. The basic product number is before the hyphen.

**EN** **Operator's manual**  
Battery Hedge Trimmer

---

# Carton Contents



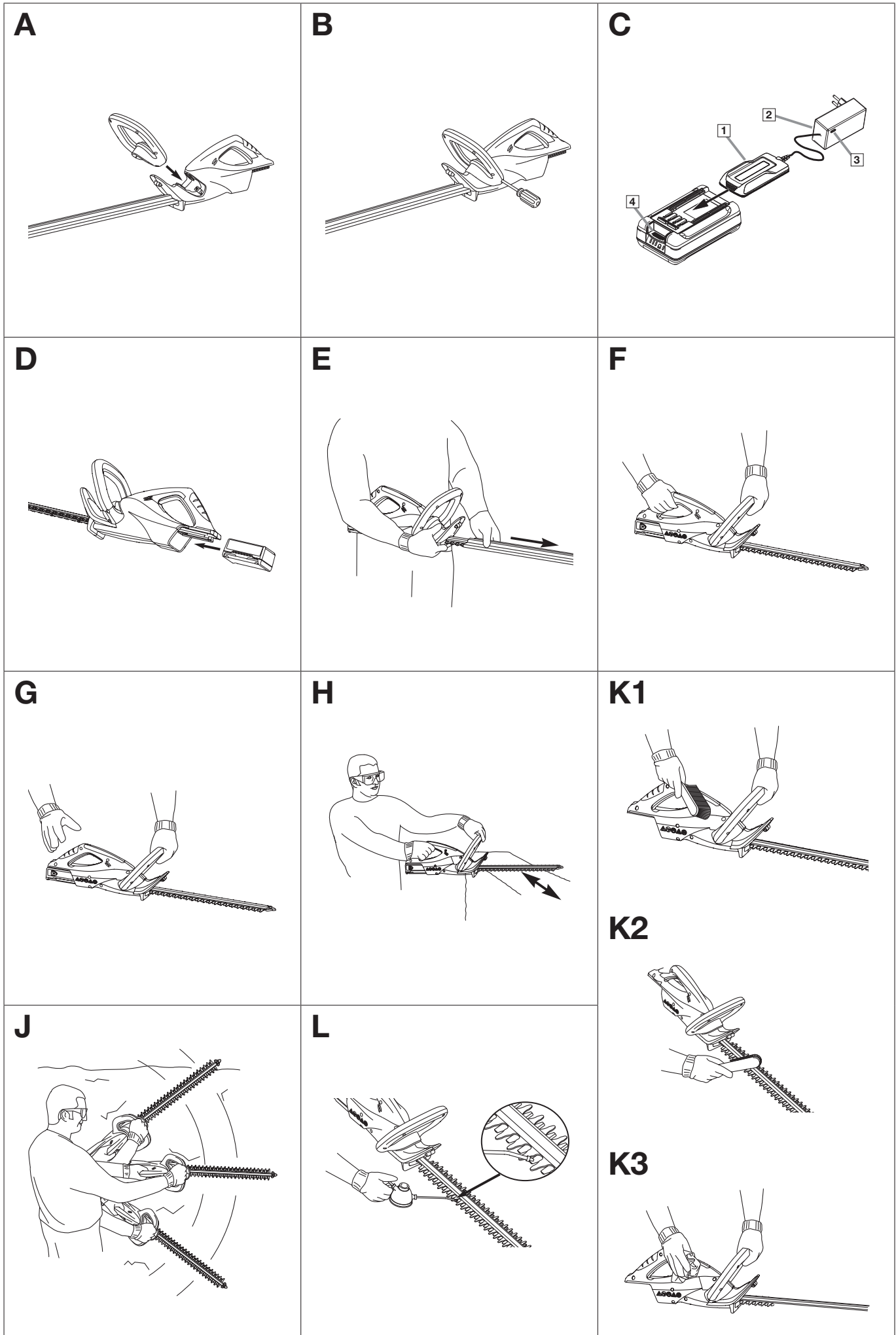
- 1. Front Handle
- 2. Front Switch Lever
- 3. Rear Switch Lever
- 4. Blade cover
- 5. Rear Handle
- 6. Charger
- 7. Battery Pack
- 8. Operator's Manual

**IMPORTANT !**

Please check the contents of the carton are correct **BEFORE** assembling your new Flymo product. The Loose Parts Pack is packaged underneath the deck of the product.

**IF ANY PARTS ARE MISSING CONTACT:**

**Husqvarna UK Ltd.  
Customer Service Department direct**  
**Telephone: 0344 844 4558 UK**  
**1800 882 350 ROI**  
**Fax: 01325 302530**



## EN Battery Hedge Trimmer

1. SAFETY	4
2. ASSEMBLY	5
3. OPERATION	5
4. MAINTENANCE	6
5. STORAGE	6
6. TROUBLESHOOTING	7
7. TECHNICAL DATA	7
8. ACCESSORIES	7
9. SERVICE/WARRANTY	7

### Original instructions.



This product is not intended for use by persons (including children) with reduced physical, sensory or mental capabilities, or lack of experience and knowledge, unless they have been given supervision or instruction concerning use of the product by a person responsible for their safety. Children should be supervised to ensure that they do not play with the product. The use of this product by young people under the age of 16 is not recommended.

### Intended use:

The **FLYMO Hedge Trimmer** is intended to cut hedges, shrubs and grass coverings in private domestic gardens and allotments.

The product is not intended for long term use.



### DANGER! Risk of injury!

→ Do not use the product to cut lawns/lawn edges, to chop up material or to make compost.

## 1. SAFETY

**Important! Read the operator's manual carefully before use and keep for future reference.**

### Symbols on the product:



Read operator's manual.



Danger – Keep hands away from blade.



Do not expose to rain.



Wear eye and ear protection.



Remove the battery before cleaning or maintenance.

### General safety warnings

#### General machine safety warnings



### WARNING!

Read all safety warnings, instructions, illustrations and specifications provided with this machine. Failure to follow the warnings and instructions may result in electric shock, fire and/or serious injury.

Save all warnings and instructions for future reference.

The term "machine" in the warnings refers to your mains operated (corded) machine or battery operated (cordless) machine.

#### 1) Work area safety

- Keep work area clean and well lit.** Cluttered or dark areas invite accidents.
- Do not operate machines in explosive atmospheres, such as in the presence of flammable liquids, gases or dust.**  
Machines create sparks which may ignite the dust or fumes.
- Keep children and bystanders away while operating a machine.**  
Distractions can cause you to lose control.

#### 2) Electrical safety

- Machine plugs must match the outlet. Never modify the plug in any way. Do not use any adaptor plugs with earthed (grounded) machines.**  
Unmodified plugs and matching outlets will reduce risk of electric shock.

- Avoid body contact with earthed or grounded surfaces, such as pipes, radiators, ranges and refrigerators.** There is an increased risk of electric shock if your body is earthed or grounded.
- Do not expose machines to rain or wet conditions.**  
Water entering a machine will increase the risk of electric shock.
- Do not abuse the cord. Never use the cord for carrying, pulling or unplugging the machine. Keep cord away from heat, oil, sharp edges or moving parts.**  
Damaged or entangled cords increase the risk of electric shock.
- When operating a machine outdoors, use an extension cord suitable for outdoor use.**  
Use of a cord suitable for outdoor use reduces the risk of electric shock.
- If operating a machine in a damp location is unavoidable, use a residual current device (RCD) protected supply.**  
Use of an RCD reduces the risk of electric shock.

#### 3) Personal safety

- Stay alert, watch what you are doing and use common sense when operating a machine. Do not use a machine while you are tired or under the influence of drugs, alcohol or medication.** A moment of inattention while operating machines may result in serious personal injury.
- Use personal protective equipment. Always wear eye protection.**  
Protective equipment such as dust mask, non-skid safety shoes, hard hat, or hearing protection used for appropriate conditions will reduce personal injuries.
- Prevent unintentional starting. Ensure the switch is in the OFF-position before connecting to power source and/or battery pack, picking up or carrying the machine.** Carrying machines with your finger on the switch or energising machines that have the switch on invites accidents.
- Remove any adjusting key or wrench before turning the machine on.**  
A wrench or a key left attached to a rotating part of the machines may result in personal injury.
- Do not overreach. Keep proper footing and balance at all times.**  
This enables better control of the machine in unexpected situations.
- Dress properly. Do not wear loose clothing or jewellery. Keep your hair, clothing and gloves away from moving parts.**  
Loose clothes, jewellery or long hair can be caught in moving parts.
- If devices are provided for the connection of dust extraction and collection facilities, ensure these are connected and properly used.**  
Use of dust collection can reduce dust-related hazards.
- Do not let familiarity gained from frequent use of machines allow you to become complacent and ignore machine safety principles.**  
A careless action can cause severe injury within a fraction of a second.

#### 4) Machine use and care

- Do not force the machine. Use the correct machine for your application.** The correct machine will do the job better and safer at the rate for which it was designed.
- Do not use the machine if the switch does not turn it on and off.**  
Any machine that cannot be controlled with the switch is dangerous and must be repaired.
- Disconnect the plug from the power source and/or the battery pack from the machine before making any adjustments, changing accessories, or storing machines.** Such preventive safety measures reduce the risk of starting the machine accidentally.
- Store idle machines out of the reach of children and do not allow persons unfamiliar with the machine or these instructions to operate the machine.**  
Machines are dangerous in the hands of untrained users.
- Maintain machines. Check for misalignment or binding of moving parts, breakage of parts and any other condition that may affect the machine's operation. If damaged, have the machine repaired before use.** Many accidents are caused by poorly maintained machines.
- Keep cutting tools sharp and clean.** Properly maintained cutting tools with sharp cutting edges are less likely to bind and are easier to control.
- Use the machine, accessories and tool bits etc. in accordance with these instructions, taking into account the working conditions and the work to be performed.**  
Use of the machine for operations different from those intended could result in a hazardous situation.
- Keep handles and grasping surfaces dry, clean and free from oil and grease.** Slippery handles and grasping surfaces do not allow for safe handling and control of the machine in unexpected situations.

#### 5) Battery tool use and care

- Recharge only with the charger specified by the manufacturer.**  
A charger that is suitable for one type of battery pack may create a risk of fire when used with another battery pack.
- Use machines only with specifically designated battery packs.**  
Use of any other battery packs may create a risk of injury and fire.
- When battery pack is not in use, keep it away from other metal objects, like paper clips, coins, keys, nails, screws or other small metal objects, that can make a connection from one terminal to another.** Shorting the battery terminals together may cause burns or a fire.
- Under abusive conditions, liquid may be ejected from the battery; avoid contact. If contact accidentally occurs, flush with water. If liquid contacts eyes, additionally seek medical help.**  
Liquid ejected from the battery may cause irritation or burns.

- e) **Do not use a battery pack or tool that is damaged or modified.**  
*Damaged or modified batteries may exhibit unpredictable behavior resulting in fire, explosion or risk of injury.*
- f) **Do not expose a battery pack or tool to fire or excessive temperature.**  
*Exposure to fire or temperature above 130 °C may cause explosion.*
- g) **Follow all charging instructions and do not charge the battery pack or tool outside the temperature range specified in the instructions.**  
*Charging improperly or at temperatures outside the specified range may damage the battery and increase the risk of fire.*
- 6) **Service**
- a) **Have your machine serviced by a qualified repair person using only identical replacement parts.**  
*This will ensure that the safety of the machine is maintained.*
- b) **Never service damaged battery packs.** *Service of battery packs should only be performed by the manufacturer or authorised service providers.*

#### Hedge trimmer safety warnings

- a) **Keep all parts of the body away from the blade. Do not remove cut material or hold material to be cut when blades are moving.**  
*Blades continue to move after the switch is turned off. A moment of inattention while operating the hedge trimmer may result in serious personal injury.*
- b) **Carry the hedge trimmer by the handle with the blade stopped and taking care not to operate any power switch.**  
*Proper carrying of the hedge trimmer will decrease the risk of inadvertent starting and resultant personal injury from the blades.*
- c) **When transporting or storing the hedge trimmer, always fit the blade cover.** *Proper handling of the hedge trimmer will decrease the risk of personal injury from the blades.*
- d) **When clearing jammed material or servicing the unit, make sure all power switches are off and the battery pack is removed or disconnected.** *Unexpected actuation of the hedge trimmer while clearing jammed material or servicing may result in serious personal injury.*
- e) **When clearing jammed material or servicing the unit, make sure all power switches are off and the lock-off is in the locked position.** *Unexpected actuation of the hedge trimmer while clearing jammed material or servicing may result in serious personal injury.*
- f) **Hold the hedge trimmer by insulated gripping surfaces only, because the blade may contact hidden wiring.**  
*Blades contacting a "live" wire may make exposed metal parts of the hedge trimmer "live" and could give the operator an electric shock.*
- g) **Keep all power cords and cables away from cutting area.**  
*Power cords or cables may be hidden in hedges or bushes and can be accidentally cut by the blade.*
- h) **Do not use the hedge trimmer in bad weather conditions, especially when there is a risk of lightning.**  
*This decreases the risk of being struck by lightning.*

Search hedges and bushes for hidden objects (e.g. wire fences and hidden wires). The use of a residual current device (RCD) with a trip current of 30 mA or less is recommended.

Hold the hedge trimmer with both hands on both handles.

The hedge trimmer is intended for use when the user is standing on the ground and not on a ladder or other unstable surface.

#### Additional safety warnings



#### Battery safety

**The battery to be charged must be placed on a nonflammable, heat resistant and non-conductive surface while charging.**

**The battery must not be charged unattended.**

**The supply terminals are not to be short-circuited.**

**Keep corrosive, flammable and easily combustible objects clear of the battery charger and the battery.**

**Do not cover the battery charger and the battery while charging.**

Disconnect the battery charger immediately in the event of smoke formation or fire.

Only use FLYMO batteries for the FLYMO battery product. FLYMO cannot accept any liability for the batteries of other manufacturers. If they are of minor quality, they could cause a fire or explosion hazard!

Do not use the FLYMO charger to charge external rechargeable batteries, as FLYMO cannot guarantee compatibility and could therefore present a risk of fire or explosion.

Do not charge non-rechargeable batteries.



#### DANGER! Risk of explosion!

**Protect batteries from heat and fire. Do not leave on radiators or expose to strong sunshine for long periods.**

**Do not operate in explosive atmospheres, such as in the presence of flammable liquids, gases, or dust. Batteries may create sparks which could ignite the dust or fumes.**

Check your battery before each use. Visually check the battery before each use. A non-functioning battery must be disposed of correctly. Do not send by post. For further details, please contact your local disposal companies.

For risks of injury do not use the battery as a power source for other products. Only use the battery for the FLYMO product intended.

Only charge and use the battery in ambient temperatures of between 0 °C and 40 °C. Allow battery to cool down after long periods of use.

Check the charging cable regularly for signs of damage or ageing (brittleness). Only use it in perfect condition.

Do not stow or transport the battery above 45 °C or in direct sunlight. Ideally, the battery should be stored below 25 °C so that self-discharge is low.

Do not expose the battery to rain, water (immersion) or wet conditions.

Keep battery in order (clean) especially air vents.

If usage of the battery is not planned for a certain time (winter period) reload the battery to avoid a deep discharge.

Do not store the battery in a product to prevent self-discharge, misuse and accidents.

Do not store the battery in places where static electricity is present.

#### Electrical safety



#### DANGER! Cardiac arrest!

**This product makes an electromagnetic field while it operates. This field may under some conditions interfere with active or passive medical implants. To decrease the risk of conditions that can possibly injure or kill, we recommend persons with medical implants to speak with their physician and the medical implant manufacturer before you operate the product.**

Only use the battery product between -10 °C and 40 °C.

Thoroughly inspect the area where the product is to be used and remove all wires and other foreign objects.

In case of an unintended start (e.g. due to a welded switch) disconnect the battery immediately from device and let the product repaired by the FLYMO service.

Disconnect the product from the mains and disconnect the battery if the product starts to vibrate abnormally. Check immediately. Excessive vibration can cause injury.

Do not use the product near water.

Do not operate next to swimming pools or garden ponds.

Protect the electrical contacts of the battery from moisture.

#### Personal safety



#### DANGER! Risk of suffocation!

**Small parts can be easily swallowed. There is also a risk that the poly-bag can suffocate toddlers. Keep toddlers away when you assemble the product.**

The battery contacts can be hot after use. Be careful of the hot contacts when removing the battery.

Know how to stop the product quickly in an emergency.

Avoid contact with the oil of the blade, allergic reaction is possible.

Only work in the daylight or when visibility is good.

Check your product before each use. Always visually inspect your Hedge Trimmer before each use. Check that the ventilation slots are not obstructed in any way.

If the product gets hot whilst in operation, allow it to cool down before storage.

Warning! When wearing hearing protection, and due to the noise produced by the product, the operator may not notice persons approaching.

Always wear suitable clothing, protective gloves, and stout shoes.

Always ensure that you have a secure foothold whilst working.

## 2. ASSEMBLY



#### DANGER! Risk of injury!

**Cut injury when the product starts accidentally.**

→ **Remove the battery and slide the protective cover over the blade before you assemble the product.**

#### To assemble the front handle [Fig. A/B]:

1. Insert the front handle into into the area indicated in **Fig. A**.
2. Secure the front handle by tightening the already located screw, as illustrated in **Fig. B**. Repeat for the other side.

## 3. OPERATION



#### DANGER! Risk of injury!

**Cut injury when the product starts accidentally.**

→ **Wait for the blade to stop, remove the battery and slide the protective cover over the blade before you adjust or transport the product.**

### To charge the battery:



#### CAUTION!

→ **Note the mains voltage!** The voltage of the power source must match the voltage specified on the rating plate of the charger.

1. If over a period of time the battery pack quickly runs down after a full 2.5 – 3 hour charging period, a replacement battery pack is needed.
2. There will be some charge present in the battery pack but to ensure maximum running time, charge your battery pack for 2.5 – 3 hours before first use.
3. To prevent permanent battery pack damage, never store in a discharged condition.
4. Contact your local approved service centre/dealer/distributor for a replacement battery pack and for safe disposal of your old battery pack.

5. **Battery** 20 Volt 2.5 AmpHour "High Power"  
Sealed for Life: No maintenance required.

→ **IMPORTANT! DISPOSE OF YOUR OLD BATTERY PACK SAFELY DO NOT CUT OPEN, BURN OR INCINERATE.**

→ **For further information on battery pack replacement contact Husqvarna UK Ltd. Customer Service direct:  
Telephone: 0344 844 4558 UK, 1800 882 350 ROI  
Fax: 01325 302530**

### Initial charging procedure [Fig. C]:

1. Use the charger indoors only.
2. Ensure the charger is not exposed to moisture. Keep the charger and the battery pack dry at all times. Keep the charger well ventilated during charging.
3. Attach the charger connector (C1) to the battery pack.
4. Plug the charger (C2) into a suitable household electrical wall socket and switch on.
5. The red indicator lamp (C3) glows continuously during charging.
6. Full charge will be achieved in 2.5 – 3 hours after which the indicator lamp on the charger (C3) will turn to green. During charging the charger becomes warm. This is normal and means the charger is operating correctly.

### To re-charge the battery pack:

1. Re-charge the battery pack as soon as the cutting power of your trimmer begins to die and slow down.
2. Avoid running the battery pack into "deep" discharge, i.e. avoid flattening the battery pack completely.
3. Follow the procedure outlined in the *Initial Charging Procedure*.
4. Charging the battery pack according to these instructions should ensure maximum battery life.

### To assemble the battery pack [Fig. C/D]:

1. Attach the battery pack as illustrated in **Fig. D**, ensuring that it clicks into position and is located firmly.
2. To remove, depress the locking button (C4) pull firmly and slide off.

### To start the hedge trimmer [Fig. E/F/G]:



#### DANGER! Risk of injury!

**Risk of injury if the product does not stop when you release the start levers.**

→ **Do not bypass the safety devices or switches. For example do not attach the start levers to the handle.**

### To start:

**The product is provided with a two-handed safety device (2 start levers) to prevent the product from being turned on by accident.**

1. Remove blade cover (E).
2. There are two switch levers fitted to your hedge trimmer.
3. Both switch levers need to be held in the operating position (see **Fig. F**) for the product to start.

### To stop:

- Move hedge trimmer away from cutting area before stopping.
1. To stop, release one of the switch levers (**Fig G**).

### How to use the hedge trimmer:

1. Inspect area to be cut before each use – remove objects which can be thrown or become entangled in the cutting blades.
2. Always keep the hedgetrimmer in front of your body. Hold handle firmly with both hands and stand in a secure and stable position.
3. Allow the cutting blades to reach full speed before entering the material to be cut.
4. Always work going away from people and solid objects such as walls, large stones, trees, vehicles etc.
5. If blade stalls, immediately stop the hedgetrimmer and clear jammed debris from the cutting blades. Inspect blades and repair or replace as needed.

### Work positions:

#### – Top cutting [Fig. H]

Use a wide sweeping motion (H). A slight downward tilt of the cutting blades in the direction of motion gives the best cutting results.

#### – Side Cutting [Fig. J]

When trimming the sides of the hedge, begin at the bottom and cut upwards (J), tapering the hedge inward at the top. This shape will expose more of the hedge, resulting in more uniform growth.

## 4. MAINTENANCE



#### DANGER! Risk of injury!

**Cut injury when the product starts accidentally.**

→ **Wait for the blade to stop, remove the battery and slide the protective cover over the blade before you maintain the product.**

### To clean the hedge trimmer [Fig. K]:



#### DANGER! Risk of injury!

**Risk of injury and risk of damage to the product.**

- **Do not clean the product with water or with a water jet (in particular high-pressure water jet).**
- **Do not clean with chemicals including petrol or solvents. Some can destroy critical plastic parts.**

### The airflow slots must always be clean.

1. Using a soft brush – remove debris from all air intakes and cutting blade.
2. Wipe over surface of your hedge trimmer with a dry cloth.
3. Lubricate the blade with a low viscosity oil.  
*Avoid contact with the plastic parts.*

### To lubricate the cutting blade [Fig. L]:

For easier operation and longer life, lubricate the cutter blades before and after use. Apply the oil so that it runs between the two blades.

### To clean the battery and the battery charger:

Make sure that the surface and the contacts of the battery and the battery charger always are clean and dry before you connect the battery charger.

#### Do not use running water.

- **Battery charger:** Clean the contacts and the plastic parts with a soft and dry cloth.
- **Battery:** Occasionally clean the ventilation slots and the terminals on the battery using a soft brush that is clean and dry.

## 5. STORAGE

### To put into storage:

#### The product must be stored away from children.

1. Slide the protective cover over the blade.
2. Remove the battery.
3. Charge the battery. Fully charge for 2.5 – 3 hours before winter storage. Re-charge the battery pack every 3 to 4 months for a full 2.5 – 3 hour charging period to top up the battery charge during winter storage. Avoid extended storage without re-charge.
4. Clean the hedge trimmer, the battery and the battery charger (see 4. MAINTENANCE).
5. Check that all nuts and bolts are secure.

6. Visually inspect the hedge trimmer for any worn or damaged parts, contact your local Service Centre if any parts require replacement.
5. Store the hedge trimmer, the battery and the battery charger in a dry, enclosed and frost-free place.

#### Disposal:

(in accordance with RL2012/19/EC/S.I. 2013 No. 3113)



The product must not be disposed of to normal household waste. It must be disposed of in line with local environmental regulations.

#### IMPORTANT!

→ Dispose of the product through or via your municipal recycling collection centre.

#### Disposal of the battery:



The battery contains lithium-ion cells that should not be disposed of with normal household waste at the end of its life.

Li-ion

#### IMPORTANT!

→ Dispose of the batteries through or via your municipal recycling collection centre.

1. Discharge the lithium-ion cells completely (contact the FLYMO Service).
2. Protect the contacts on the lithium-ion cells against short circuits.
3. Dispose of the lithium-ion cells properly.

## 6. TROUBLESHOOTING



#### DANGER! Risk of injury!

Cut injury when the product starts accidentally.

→ Wait for the blade to stop, remove the battery and slide the protective cover over the blade before you troubleshoot the product.

#### Cutting blade stops under load:

1. Cut at a slower pace.
2. Recharge battery.
3. If cutting blade still stops under load?

**Immediately remove the battery pack and consult your local approved Service Centre.**

#### Fails to stop when one switch lever is released:

**Immediately remove the Battery Pack and consult your local approved Service Centre.**

#### Poor cut quality:

1. Ensure the product is being used correctly (see *How to use the hedge trimmer*).
2. Ensure blades are free from trapped debris.
3. Damaged Blades?

**Immediately remove the Battery Pack and consult your local approved Service Centre.**

#### Excessive Vibration

**Immediately remove the Battery Pack and consult your local approved Service Centre.**



**NOTE: For any other malfunctions please contact the FLYMO service department. Repairs must only be done by FLYMO service departments or specialist dealers approved by FLYMO.**

## 7. TECHNICAL DATA

Battery Hedge Trimmer	Unit	Value EasiCut Cordless 20V Li
Length of blade	cm	50
Tooth gap of blade	mm	16
Weight (without Battery)	kg	2.3
Sound pressure level $L_{pA}$ <sup>1)</sup> Uncertainty $k_{pA}$	dB (A)	75 3

Battery Hedge Trimmer	Unit	Value EasiCut Cordless 20V Li
Sound power level $L_{WA}$ <sup>2)</sup> : measured / guaranteed Uncertainty $k_{WA}$	dB (A)	84 / 86 2.0
Hand / arm vibration $a_{hw}$ <sup>1)</sup> Uncertainty $k_{hw}$	m/s <sup>2</sup>	< 2.5 1.5

Measuring process complying with: <sup>1)</sup> EN 62841-4-2 <sup>2)</sup> RL 2000/14/EC / S.I. 2001 No.1701



**NOTE: The stated vibration emission value has been measured according to a standardized test procedure and can be used for comparison of one electric power tool with another. It can also be used for preliminary evaluation of exposure. The vibration emission value can vary during actual use of the electric power tool.**

Battery	Unit	Value Li-ion 20V
Battery voltage	V (DC)	20
Battery capacity	Ah	2.5
Battery charging time	h	2.5 – 3.0
Idling time (with full battery) (approx.)	min.	60

Battery Charger	Unit	Value
Mains voltage	V (AC)	100 – 240
Mains frequency	Hz	50 – 60
Battery charging voltage	V (DC)	20
Max. battery charging current	A	1.0

## 8. ACCESSORIES

FLYMO Battery	Battery for additional duration or for replacement.	Art. 9679132-01
FLYMO Battery Charger		Art. 9679133-01

## 9. SERVICE/WARRANTY

#### Service:

Please contact the address on the back page.

#### Warranty statement:

In the event of a warranty claim, no charge is levied to you for the services provided.

Husqvarna UK Ltd. grants a warranty for all original FLYMO new products for two years from the date of original purchase from the retailer, provided that the devices have been for private use only. This manufacturer's warranty does not apply to products acquired second hand. This warranty includes all significant defects of the product that can be proved to be material or manufacturing faults. This warranty is fulfilled by supplying a fully functional replacement product or by repairing the faulty product sent to us free of charge; we reserve the right to choose between these options. This service is subject to the following provisions:

- The product has been used for its intended purpose as per the recommendations in the operating instructions.
- Neither the purchaser nor a third party has attempted to open or repair the product.
- Only Original FLYMO replacement parts and wear parts have been used for operation.
- Presentation of the receipt.

Normal wear and tear of parts and components (such as blades, blade fixing parts, turbines, light bulbs, V-belts/toothed belts, impellers, air filters, spark plugs), visual changes, wear parts and consumables are excluded from the warranty.

This manufacturer's warranty is limited to replacement and repair of products in accordance with the abovementioned conditions. The manufacturer's warranty does not constitute an entitlement to lodge other claims against us as a manufacturer, such as for damages. This manufacturer's warranty does **not**, of course, affect statutory and contractual warranty claims against the dealer/retailer.

The manufacturer's warranty is governed by the law of the Federal Republic of Germany.

In case of a warranty claim, please return the faulty product, together with a copy of the receipt and a description of the fault, with postage

paid to the service address.

**Consumables:**

The blade is a consumable and not included in the warranty.

## PRODUCT LIABILITY

---



In accordance with the German Product Liability Act, we hereby expressly declare that we accept no liability for damage incurred from our products where said products have not been properly repaired by a FLYMO-approved service partner or where original FLYMO parts or parts authorised by FLYMO were not used.

## EC DECLARATION OF CONFORMITY

---

The undersigned hereby certifies as the authorized representative of the manufacturer, Husqvarna AB, 561 82 Huskvarna, Sweden, that, when leaving our factory, the unit(s) indicated below is/are in accordance with the harmonised EU guidelines, EU standards of safety and product specific standards. This certificate becomes void if the unit(s) is/are modified without our approval.

---

Description of the product:	<b>Hedge Trimmer EasiCut Cordless</b>
Product type:	<b>20V Li</b>
Article-Number:	<b>9679245-xx</b>
CE-Directives:	<b>2006/42/EC 2011/65/EU 2014/30/EU 2000/14/EC 2014/35/EU</b>
Harmonised EN:	<b>EN ISO 12100 EN 60745-1 EN 60745-2-15 EN 60335-1 EN 60335-2-29</b>
Deposited Documentation:	<b>GARDENA Technical Documentation, M. Jäger, 89079 Ulm</b>
Conformity Assessment according to:	<b>According to 2000/14/EG: Art. 14 Annex V</b>
Noise level: measured / guaranteed	<b>84 dB(A) / 86 dB(A)</b>
Ulm, 18.08.2021 Authorised representative:	 <b>Reinhard Pompe</b> Vice President Products
	 <b>Wolfgang Engelhardt</b> Vice President Supply Chain

---



## UKCA DECLARATION OF CONFORMITY (ONLY FOR UK)

The manufacturer: Husqvarna AB SE 561 82 Huskvarna, Sweden hereby certifies, when leaving our factory, the unit(s) indicated below is/are in accordance with the UK Regulations, designated standards of safety and product specific designated standards. This certificate becomes void if the units are modified without our approval.

Description of the Product: **Hedge Trimmer EasiCut Cordless**

Product type: **20V Li**

Article Number: **9679245-xx**

UK regulations: **S.I. 2008/1597  
S.I. 2012/3032  
S.I. 2016/1091  
S.I. 2001/1701  
S.I. 2016/1101**

Designated Standards: **EN ISO 12100  
EN 60745-1  
EN 60745-2-15  
EN 60335-1  
EN 60335-2-29**

Authorised Representative: **Husqvarna UK Limited**

Deposited Documentation: **Preston Road,  
Aycliffe,  
County Durham  
UK  
DL5 6 UP**

Noise level: measured / guaranteed **84 dB(A) / 86 dB(A)**

Conformity Assessment according to: **According to S.I. 2001/1701 Art. 11 Schedule 8**

Aycliffe, 18.08.2021

Authorised Representative:



**John Thompson**  
Director

Serviceaddress and Importer to

**Great Britain**

Husqvarna UK Ltd  
Preston Road  
Aycliffe Industrial Park  
Newton Aycliffe  
County Durham  
DL5 6UP  
Phone: +44 (0) 344 8444558  
customer.services@husqvarna.co.uk



32020-85.960.01/0921  
Husqvarna AB  
S-561 82 Huskvarna  
Sweden

Our policy of continuous improvement means that the specification of products may be altered from time to time without prior notice.

Copyright © 2021 Flymo S.A. All rights reserved.

Flymo® and other product and feature names are registered or unregistered trademarks of Flymo S.A.