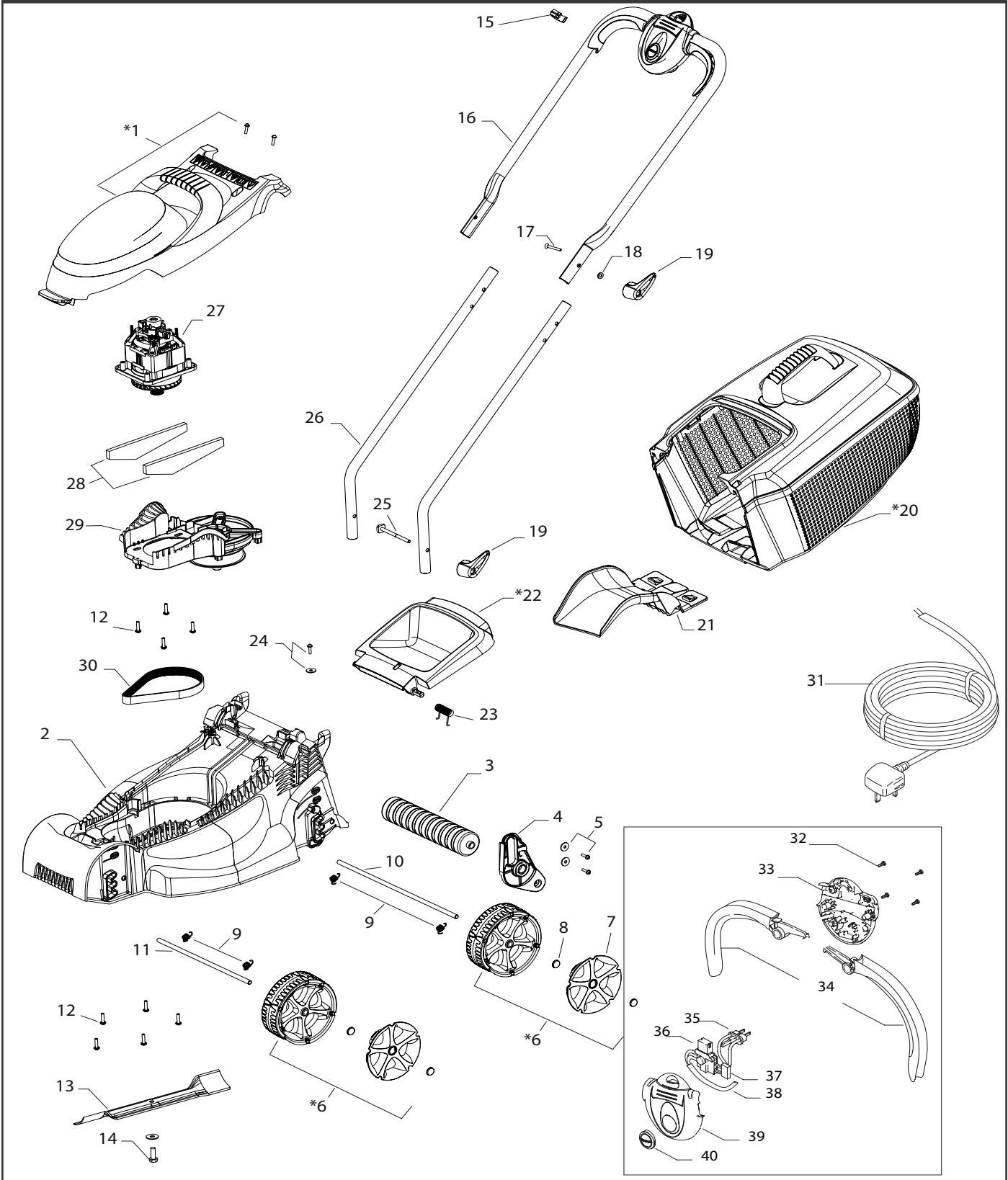


IPL, Flymo, Chevron 32, 9676237-26, 9676237-27, 9676237-62
IPL, Flymo, Chevron 32V, 9666084-01, 9666084-26, 9666084-28, 9666084-32, 9666084-62
IPL, Flymo, Chevron 32VC, 9666085-32
IPL, Flymo, Speedimo, 9666083-01
AP1612004 replaces AP1509002

Publication Number



IPL, Flymo, Chevron 32, 9676237-26, 9676237-27, 9676237-62
IPL, Flymo, Chevron 32V, 9666084-01, 9666084- 26, 9666084- 28, 9666084-32, 9666084-62
IPL, Flymo, Chevron 32VC, 9666085-32
IPL, Flymo, Speedimo, 9666083-01
AP1612004 replaces AP1509002

Publication Number

Item	Part Number	Description	Qty	Note
*1	577 17 78-01	MOTOR COVER INC. HANDLE & SCREWS	1	
2	510 76 07-00	DECK	1	
3	510 76 15-00	ROLLER	1	
4	510 76 13-00	ROLLER BRACKET LH & RH	1	
5	510 76 14-00	ROLLER BRACKET FIXINGS	2	
*6	577 17 79-01	WHEEL ASSY	4	PACK OF 2
*7	577 17 80-01	HUB CAP	4	PACK OF 4
8	577 17 81-01	PUSH ON FIX	4	PACK OF 4
9	510 76 10-00	SPRING HEIGHT ADJUST	4	PACK OF 4
10	510 76 12-00	AXLE REAR	1	
11	510 76 11-00	AXLE FRONT	1	
12	510 76 06-00	SCREW KIT (MOTOR TO BASEPLATE)	9	PACK OF 10
13	510 76 08-90	BLADE	1	
14	510 76 09-00	BLADE BOLT	1	INC. WASHER
15	513 85 74-00	CABLE CLIP	2	
16	510 76 27-00	HANDLE UPPER	1	
17	514 91 98-01	BOLT (HANDLE FIXINGS)	2	
18	514 02 66-00	WASHER (HANDLE FIXINGS)	4	
19	510 76 24-00	KNOB, CABLE WRAP	4	
*20	510 76 23-00	GRASSBOX ASSY INC. TONGUE	1	
21	510 77 07-00	TONGUE	1	
*22	510 76 20-00	SAFETY FLAP	1	
23	510 76 19-00	SAFETY FLAP SPRING	1	
24	510 76 21-00	SAFETY FLAP FIXINGS	2	
25	510 76 18-00	LOWER HANDLE BOLT	2	
26	510 76 26-00	LOWER HANDLE	2	
27	510 76 04-00	MOTOR	1	
28	510 76 17-00	FILTER	2	
29	510 76 03-00	BASEPLATE	1	
30	510 76 05-00	BELT	1	
31	512 72 51-19	MAINS LEAD UK	1	UK
32	513 08 73-00	SCREW (SWITCHBOX)	4	PACK OF 6
33	510 77 05-00	SWITCHBOX LOWER HARDWIRED	1	
33	511 94 58-68	SWITCHBOX LOWER EURO INLET	1	EU
34	510 76 28-00	SWITCHBOX LEVER	1	
35	574 64 57-01	PIN RETAINER EURO	1	EU
36	522 72 09-01	SWITCH	1	
37	513 12 16-00	CAPACITOR	1	
38	510 79 03-00	SWITCHBOX LEAD ASSY	1	
39	511 94 56-68	SWITCHBOX UPPER GREY	1	
40	513 10 30-64	BUTTON LOCK OFF ORANGE	1	

* MAY DIFFER TO ORIGINAL ON SPEEDIMO